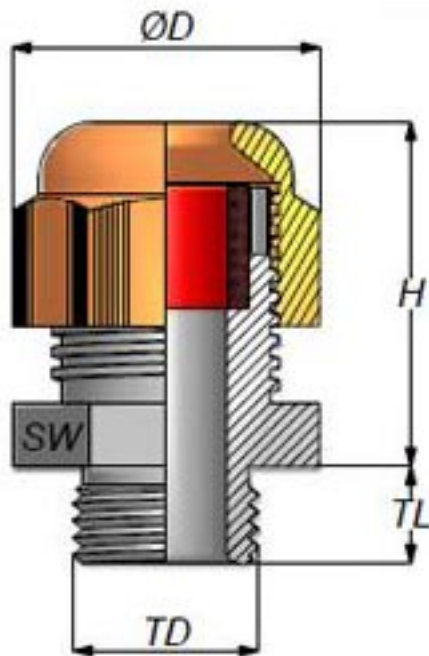




Cable Glands PG Thread



Technical Details

Material	Polyamide 6
Protection class	IP 68 - 5 bar
Oper. temperature	-30°C to +80°C permanent -30°C up to +150°C intermittent
Seal	Chloroprene
Manufactured according to the requirements of EN 50262	