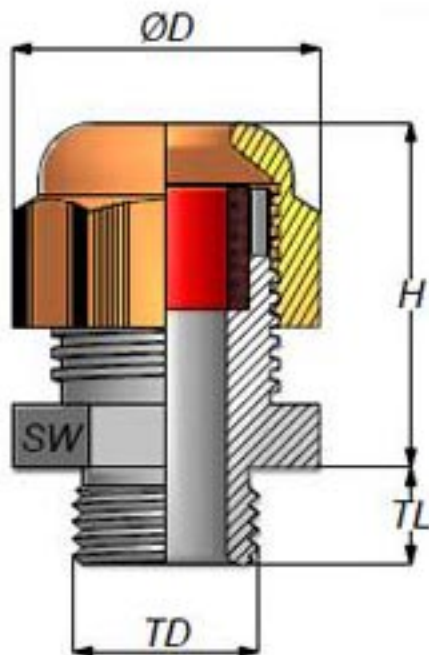




Cable Glands Metric Series



Technical Details

| | |
|---|---|
| Material | Polyamide 6 |
| Protection class | IP 68 - 5 bar |
| Oper. temperature | -30°C to +80°C permanent -30°C up to +150°C intermittent |
| Seal | Chloroprene |
| Manufactured according to the requirements of EN 50262 | |