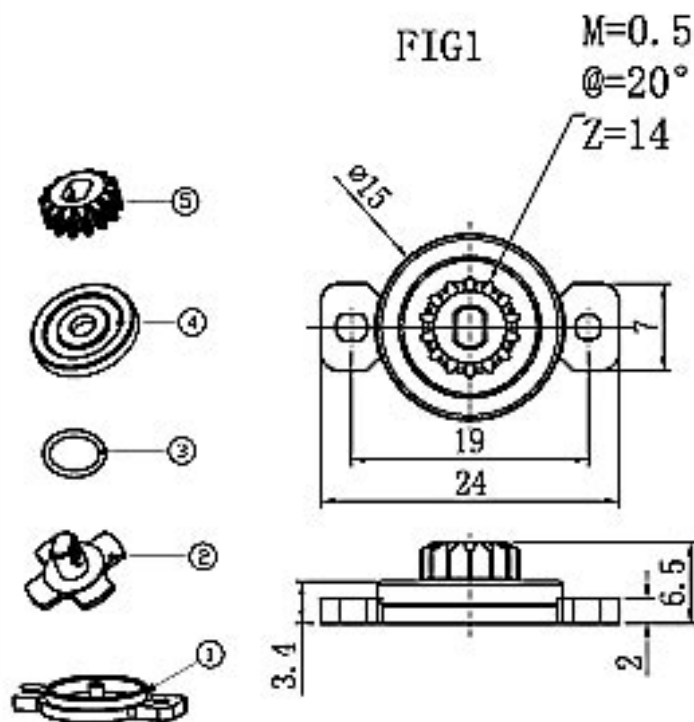


Part No.	Torque (gf. cm)	Colour
DMP-D1-01	25±8R/M	White
DMP-D1-02	40±10R/M	Yellow
DMP-D1-03	60±10R/M	Purple
DMP-D1-04	80±15R/M	Green
DMP-D1-05	120±15R/M	Black
DMP-D1-06	130±15R/M	Blue
DMP-D1-07	150±15R/M	Red



5	GEAR	PMW	1	
4	CAP	PC	1	
3	RING	SI	1	
2	SHAFT	PMW	1	
1	CASE	PC	1	
ITEM	PART-NO	MATERIAL	QTY	REMARK

NYLON FASTENERS LTD

DATE	2009-2-13	Dimension	Tolerance
SCALE	FIT	L≤4	±0.10
TITLE	Damper	MOLD-NO.	
NO.	DMP-D1	MAT.	
COMPUTER		APPR.	
UNIT	MM	VIEW	⊕ □
DESIGN	HLR	REV.	A0
DRAW	CXS	4<L≤16	±0.20
		15<L≤50	±0.30
		50<L≤100	±0.40