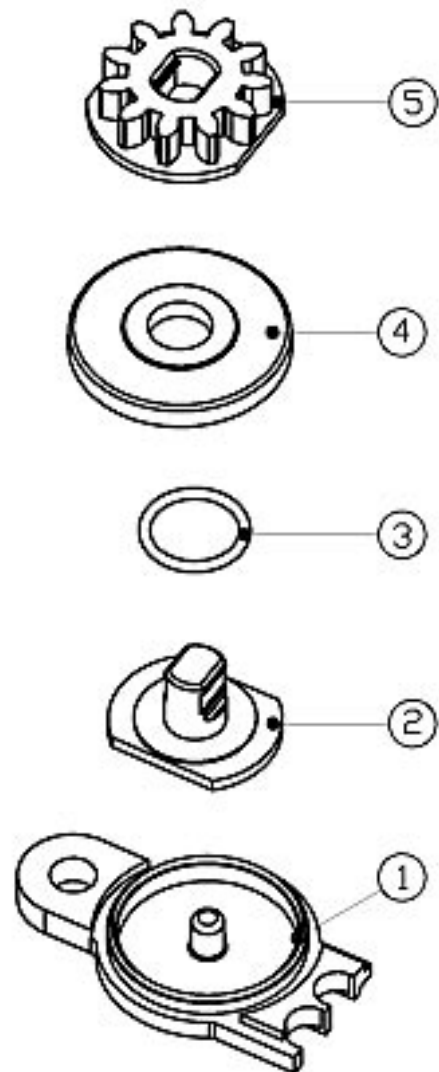
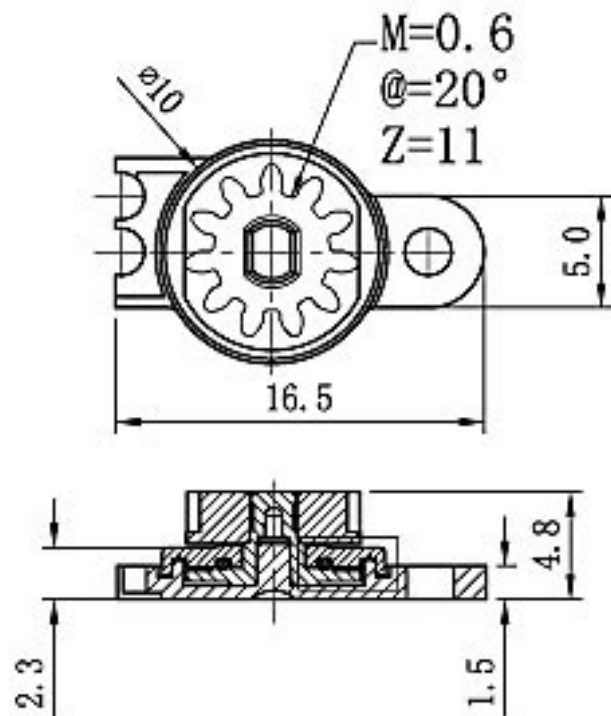


A  
B  
C  
D



Part	Torque (gf. cm)	ITEM	PART-NO	MATERIAL	QTY	REMARK
DMP-C-15	15±8R/M	5	GEAR	POM	1	
DMP-C-20	20±8R/M	4	CAP	PC	1	
DMP-C-40	40±10R/M	3	RING	SI	1	
DMP-C-60	60±10R/M	2	SHAFT	POM	1	
DMP-C-80	80±15R/M	1	CASE	PC	1	



**NYLON FASTENERS LTD**

NYLON FASTENERS LTD						DATE	2009-02-09	Dimension	Tolerance
						SCALE	FIT	L≤4	±0.10
TITLE	DMP-C-X	MOLD-NO.		DRAW	CXS	UNIT	MM	4<L≤15	±0.20
NO.	DMP-C-X	MAT.		DESIGN	ZLF	REV.	A0	15<L≤50	±0.30
COMPUTER				APPR.		VIEW		50<L≤100	±0.40

ddd

1      2      3      4      5      6