

1                      2                      3                      4                      5                      6

A

A

B

B

C

C

D

D

E

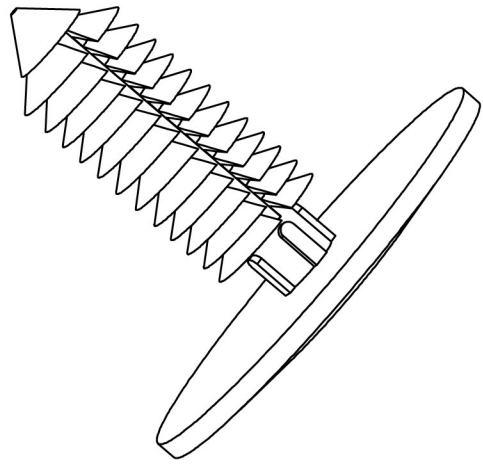
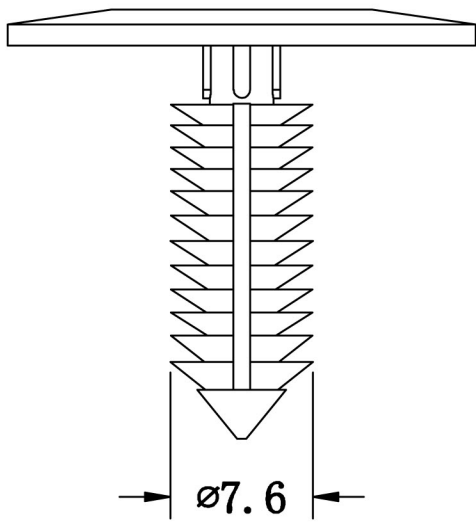
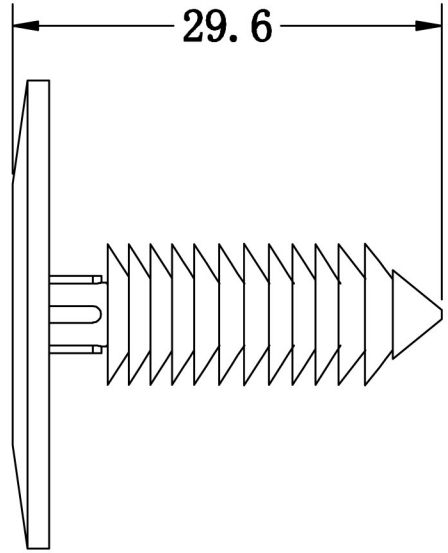
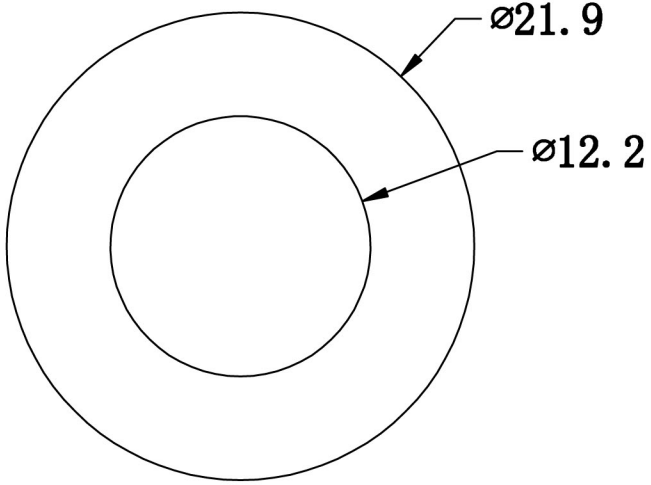
E

F

F

G

G



**Gecko International CO.**

DATE	2009-09-03	Dimension	Tolerance
SCALE	FIT	$L \leq 4$	$\pm 0.10$
UNIT	MM	$4 < L \leq 15$	$\pm 0.20$
REV.	A0	$15 < L \leq 50$	$\pm 0.30$
VIEW		$50 < L \leq 100$	$\pm 0.40$

TITLE	NA-E-101-01	MOLD-NO.		DEAW	CXS
NO.		MAT.		DESIGN	CXS
COMPUTER				APPR.	

H

H

1                      2                      3                      4                      5                      6